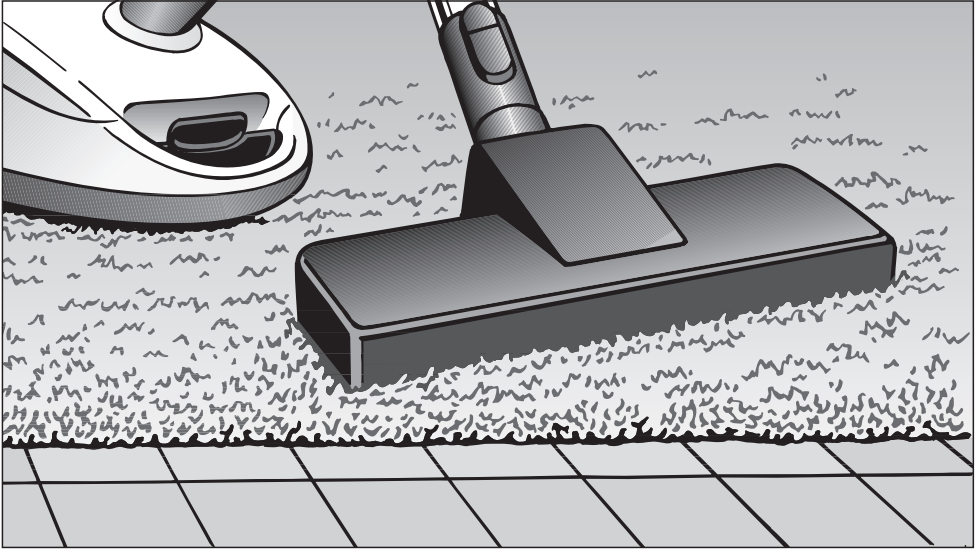


Miele

Operating Instructions



Vacuum Cleaner S 700 - S 768

To prevent accidents
and appliance damage,
read these instructions
before
installation or use.

HS05

en - US, CA

M.-Nr. 07 703 000

IMPORTANT SAFETY INSTRUCTIONS	4
Guide to the vacuum cleaner	8
Before using for the first time	10
Included accessories	13
Using the included accessories	15
Crevice nozzle	16
Dusting brush	16
Upholstery nozzle	16
Operation	17
Power cord	17
Turning the vacuum on and off	18
Adjusting the suction	19
Blower connection socket	20
Transportation and storage	21
Maintenance and care	22
Purchasing new dustbags and filters	22
Which dustbags and filters are the right ones?	22
When to change the dustbag	23
Replacing the dustbag	24
Replacing the exhaust filter	25
Replacing the "Air Clean" filter	26
Replacing the "Active Air Clean" filter and the "Active HEPA" filter	27
Replacing one type of filter with another	28
When to change the dust compartment filter (motor protection).	29
Replacing the dust compartment filter (motor protection).	29
When to change the thread catcher pads on the standard floor brush	30
Cleaning and care	31
Frequently asked questions	32
Technical Service	33
Optional accessories	34
Caring for the environment	41

IMPORTANT SAFETY INSTRUCTIONS

When using an electrical appliance, basic precautions should always be followed, including the following:

READ ALL INSTRUCTIONS BEFORE USING THIS APPLIANCE

Keep these operating instructions in a safe place and pass them on to any future user.

WARNING-

To reduce the risk of fire, electric shock or injury:

Before using

▶ Check the voltage rating of the vacuum cleaner before connecting the power cord to an electrical outlet. Your power source should correspond with the voltage rating plate located on the underside of the vacuum. Use only household AC outlets. Never use DC power sources. If you are not sure of your home's voltage supply, consult a qualified electrician. Connecting the vacuum cleaner to a higher voltage than indicated in these instructions may result in damage to the vacuum cleaner or injury.

▶ To reduce the risk of electric shock, this appliance has a polarized plug (one blade is wider than the other.) This plug will fit in a polarized outlet only one way. If the plug does not fit fully in the outlet, reverse the plug. If it still does not fit, contact a qualified electrician to install the proper outlet. Do not alter the plug in any way.

▶ A damaged vacuum cleaner can be dangerous. Check the packaging, vacuum cleaner and accessories for any signs of damage. Do not use a damaged appliance.

▶ Do not use with a damaged cord or plug. If the appliance is not working as it should, has been dropped, damaged, left outdoors or submerged in water, bring it to a service center.

▶ The electrical outlet must be fitted with a 15 A fuse.

IMPORTANT SAFETY INSTRUCTIONS

Use

- ▶ Do not use on people or animals.
- ▶ Do not use outdoors or on wet surfaces. Only **dry** surfaces should be vacuumed.
- ▶ Use only as described in this manual. Use only Miele recommended accessories.
- ▶ Do not alter or modify the vacuum cleaner.
- ▶ This appliance is intended for household use only.
- ▶ Do not allow the vacuum cleaner to be used as a toy. Close attention is necessary when used near children.
- ▶ Never use the vacuum cleaner without the dustbag or filters in place. Otherwise it could be damaged.
- ▶ If a dustbag is not inserted, the dust compartment lid will not close. Do not force it shut.
- ▶ Do not leave the vacuum plugged in. Unplug it from the outlet when not in use and before servicing.
- ▶ On the underside of the vacuum handpiece is a metal insert designed to absorb static electricity. Please make certain that your hand remains around this metal insert when vacuuming.
- ▶ Persons which lack physical, sensory or mental abilities or experience with the machine should not use it without supervision or instruction by a responsible person.
- ▶ Unwind the cord completely to aid the vacuum cleaner in dissipating heat.
- ▶ This vacuum should not be used to entrap or retain any hazardous materials.
- ▶ Do not use the vacuum cleaner to pick up liquids or damp dirt. This could impair the electrical safety of the vacuum cleaner. Wait for freshly shampooed carpets to dry.
- ▶ Do not vacuum anything that is burning or smoking such as cigarettes, matches or hot ashes. The vacuum cleaner could catch fire.
- ▶ Do not vacuum toner dust. Toner, such as that used in printers and photocopiers can conduct electricity.
- ▶ Do not use to pick up any flammable or combustible liquids, such as gasoline, or use in areas where they may be present. The vacuum cleaner could explode.
- ▶ Do not vacuum up items which are heavy, hard or have sharp edges. They could cause a blockage and damage the appliance.
- ▶ Do not pull or carry by the cord, use the cord as a handle, close a door on the cord, or pull the cord around sharp edges or corners. Do not run the appliance over the cord. Keep the cord away from heated surfaces.

IMPORTANT SAFETY INSTRUCTIONS

- ▶ Do not unplug by pulling on the cord. To unplug, grasp the plug, not the cord.
- ▶ Do not handle the plug or vacuum with wet hands.
- ▶ Keep the power cord, hair, loose clothing, fingers and all parts of the body away from openings and moving parts.
- ▶ Do not place anything into the openings of the vacuum cleaner. Do not use if any openings are blocked; keep them free of dust, lint, hair, or anything that may reduce air flow.
- ▶ This appliance is equipped with a power cord reel. Hold plug when rewinding onto cord reel. Do not allow plug to whip when rewinding.
- ▶ Turn off all controls before unplugging.
- ▶ Use extra care when cleaning on stairs.
- ▶ Floor attachments, accessories and wands must not be used at head level to avoid injury to eyes and ears.
- ▶ Monitor the dustbag change indicator and inspect all filters regularly. For best performance, the dustbag and filters should be replaced when necessary. A full bag or blocked filter will reduce the vacuum cleaner's suction power. A temperature limiter automatically switches the vacuum cleaner off if it gets too hot, see "Frequently asked questions".

Using accessories

- ▶ The hose and the telescopic wand contain electrical wires. Do not use the vacuum cleaner if these parts are damaged, cut or punctured. Avoid picking up sharp objects. Danger of electric shock!
- ▶ Unplug the vacuum when changing accessories, especially the Hose, Telescopic wand, Turbobrush and Powerbrush.
- ▶ To avoid the risk of injury when vacuuming with a Miele Power or Turbobrush do not touch the rotating roller brush. Danger of injury.
- ▶ The socket on the vacuum cleaner (depending on model) must only be used for the Miele Powerbrush specified for use with this appliance.
- ▶ Danger of injury. The Miele Powerbrush is a motor driven accessory for use only with Miele vacuum cleaners. The vacuum cleaner must not be used with another manufacturer's powerbrush.
- ▶ Do not use the vacuum cleaner without an accessory attached. The rim could be damaged and injuries could result from sharp edges.
- ▶ Miele dustbags are disposable and intended to be used only once. Do not attempt to reuse. An over stuffed dustbag will reduce the efficiency of the vacuum cleaner.
- ▶ Only use genuine Miele dustbags with the Miele quality signet and original Miele filters and accessories. Only then will the manufacturer guarantee its safety.

IMPORTANT SAFETY INSTRUCTIONS

Cleaning, maintenance and repairs

- ▶ Turn the vacuum cleaner off after each use and before every cleaning / maintenance. Pull the plug from the outlet.
- ▶ Never submerge the vacuum cleaner in water. Clean only with a dry cloth or slightly damp cloth when disconnected from the mains supply. If moisture gets into the appliance there is a risk of electric shock.
- ▶ The electro-suction hose and the telescopic wand contain electrical wires. The plug connectors must not come in contact with water. These items may only be cleaned with a dry cloth, no moisture can touch them. Danger of electric shock.
- ▶ Repairs must only be performed by an authorized service agent in accordance with national and local safety regulations. Unauthorized repairs could cause injury or machine damage.
- ▶ If the power cord is damaged it should be replaced along with a new cable reel by Miele Technical Service.

Disposing of an old appliance

- ▶ Before discarding an old vacuum cleaner, please cut off the power cord and render the plug useless. Ensure the appliance presents no danger to children while being stored for disposal.

SAVE THESE INSTRUCTIONS

Guide to the vacuum cleaner



Guide to the vacuum cleaner

- 1 Handpiece *
- 2 Air inlet valve *
- 3 Locking button
- 4 Telescopic wand *
- 5 Telescopic wand release button *
- 6 Electrobrush socket*
- 7 Dust compartment lid release
- 8 Dust compartment filter
(motor protection)
- 9 Dustbag
- 10 Floor brush*
- 11 Carrying handle
- 12 Park-system
- 13 Exhaust filter*
- 14 Power cord
- 15 Cord rewind switch
- 16 Suction power selector
- 17 Park-System
- 18 On / Off switch
- 19 Accessory compartment
- 20 Airflow indicator
- 21 Accessory compartment
lid release
- 22 Elbow *
- 23 Suction hose *

The illustration shows the maximum number of features available in this series of Miele vacuum cleaners.

Those features marked * depend on the model and may vary or not be available on your model.

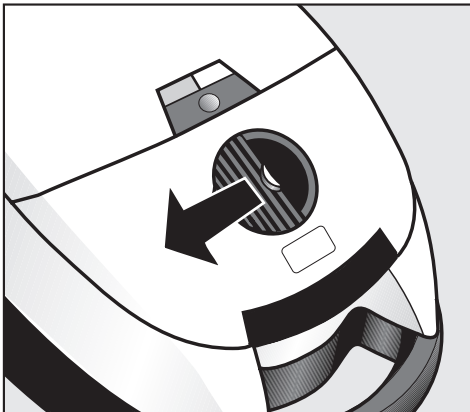
Some models are supplied with a Miele Electrobrush or Turbobrush as standard (not illustrated). Separate operating and maintenance instructions are supplied with these brushes.

Before using for the first time

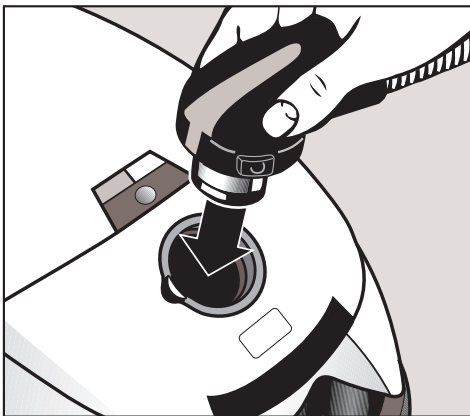
Attaching the suction hose

- Slide open the dust compartment shutter.

The dust compartment shutter is designed for hygienic handling and prevents dust and odors from escaping. If you remove the suction hose from the vacuum cleaner for storage purposes, close the dust compartment shutter before storing.

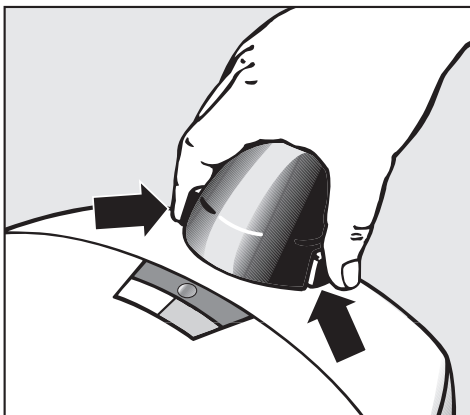


- Insert the elbow into the suction socket.



Removing the suction hose

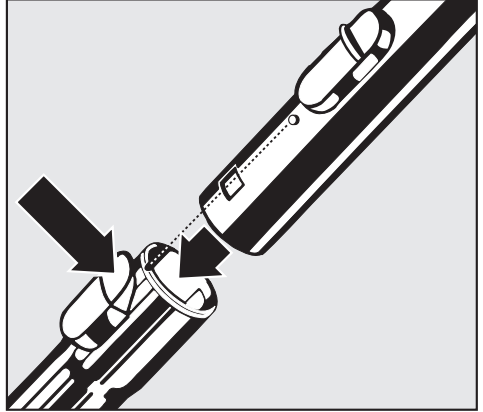
- Press the release buttons on the sides of the elbow and lift the hose from the socket.



Before using for the first time

Connecting the suction hose and the telescopic wand

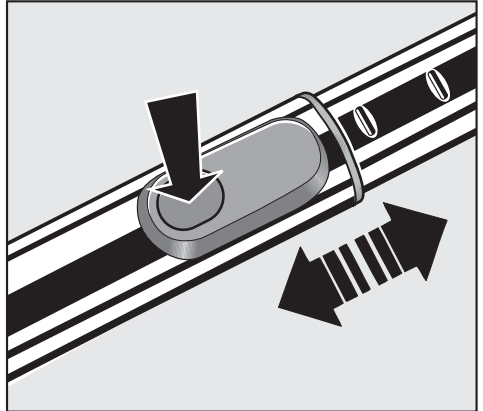
- Using the inlet guides, fit the handpiece of the suction hose firmly into the wand until they lock with a click.
- To release the handpiece from the telescopic wand, press the locking button (see arrow) and pull apart.



Adjusting the telescopic wand

One section of the telescopic wand is located inside the other and can be adjusted to your height for comfortable vacuum cleaning.

- Press the telescopic wand release button (see arrow) to release the tubes and adjust to the required height.



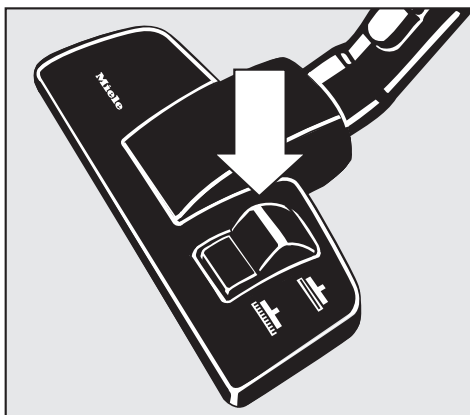
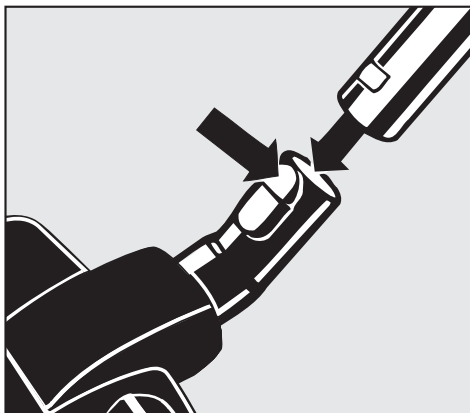
Before using for the first time

Attaching the standard floor brush

(select models)


The floor brush is suitable for cleaning carpets, rugs and hard surfaces. For flooring susceptible to scratches, use one of Miele's specially designed floor brushes (see "Optional accessories").

- Insert the telescopic wand into the floor brush and turn in either direction until it locks with a click.
- To release the floor brush from the telescopic wand, press the locking button (see arrow) and pull the wand out of the floor brush.




Observe the cleaning instructions of the floor manufacturer.

To clean carpets and area rugs:

- Press the foot switch marked  . This will retract the brush.

To clean hard flooring:

- Press the foot switch marked  . This will extend the brush.

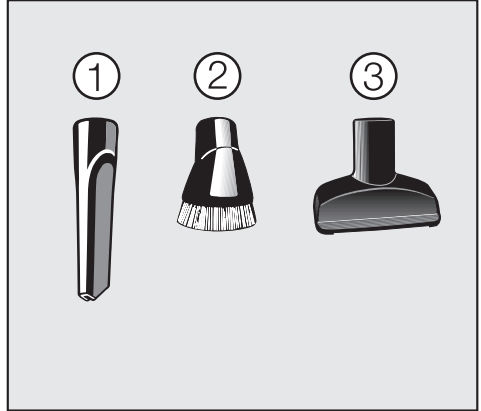
Electrobrush / Turbobrush

Some models may be supplied with an Electrobrush or a Turbobrush as a standard accessory (see "Optional accessories"). Please refer to the separate operating instructions supplied with these brushes for instructions on use and maintenance.

Included accessories

Accessory tools for cleaning difficult to reach areas are located in the accessory compartment.

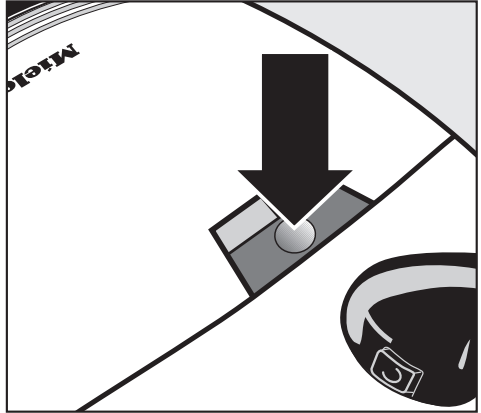
- ① Crevice nozzle
- ② Dust brush
- ③ Upholstery nozzle
- ④ Blower connection socket (not illustrated; see "Operation - Blower connection socket")



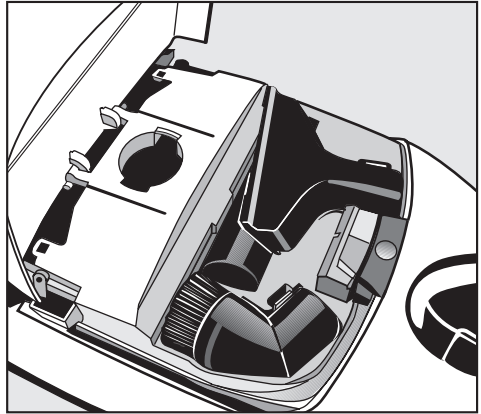
Included accessories

Taking the accessories out

- Press the release button to open the accessory compartment lid.



- Take out the accessory needed.
- Close the lid securely.



Using the included accessories

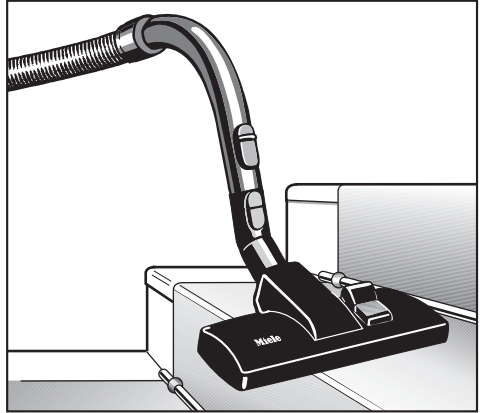
The accessory tools can either be fitted to the handpiece or to the suction wand.

Standard floor brush

(select models)

The floor brush can be used for normal cleaning of carpets, rugs, stairs and hard surfaces.

For safety when vacuuming stairs it is best to start at the bottom of the stairs and move upwards.



Floor brush - Parquet-3

(select models)

Special brush with natural bristles intended for cleaning parquet and laminate floors, especially those susceptible to scratching.

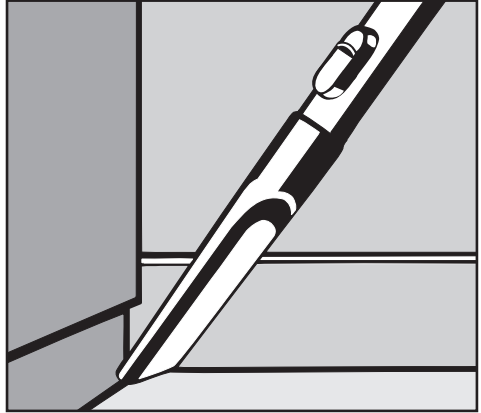
The parquet floor brush can be cleaned with the vacuum cleaner using the crevice nozzle if necessary.



Using the included accessories

Crevice nozzle

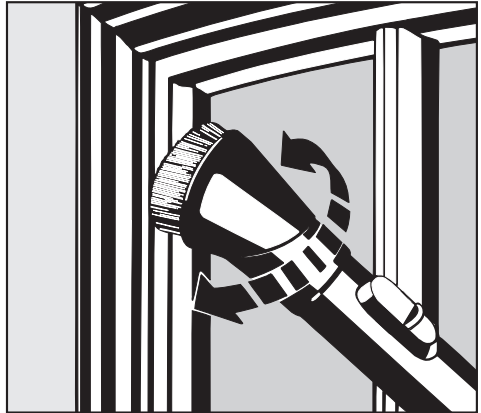
For cleaning in folds, crevices and corners.



Dusting brush

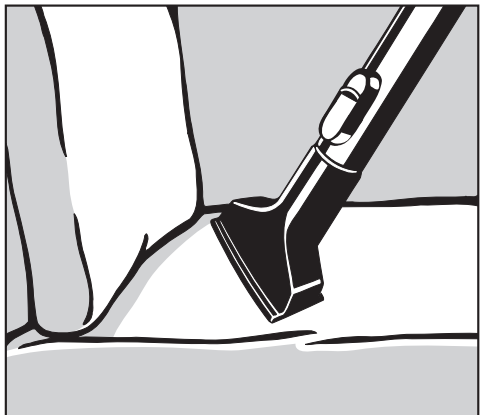
For cleaning moldings, ornate or carved articles, etc.

The head of the dusting brush can be turned to attain the best cleaning position.




Upholstery nozzle

For cleaning upholstery, mattresses, cushions, curtains, covers, etc.




Power cord

 Unwind the cable completely to aid the vacuum in dissipating heat.

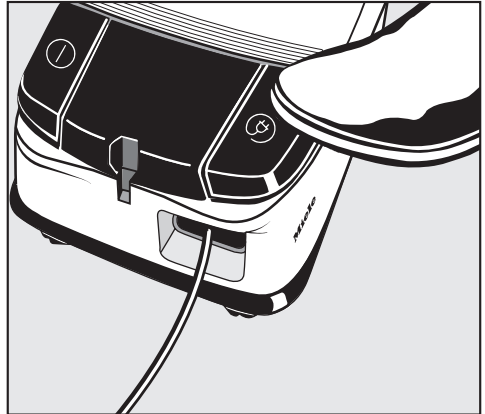
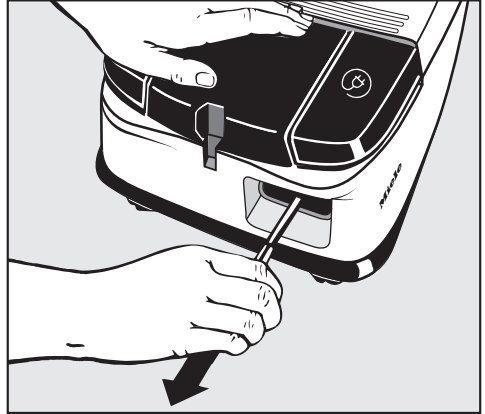
Unwinding

- Hold the plug and pull out the power cord to its full length.

 To reduce the risk of electric shock, the vacuum has a polarized plug (one blade is wider than the other). This plug will fit in a polarized outlet only one way. If the plug does not fit fully in the outlet, reverse the plug. If it still does not fit, contact a qualified electrician. Do not alter the plug in any way. Danger of overheating and damage.

Rewinding

- Unplug the vacuum from the outlet.
- Press the rewind button. The power cord will rewind automatically.




Operation

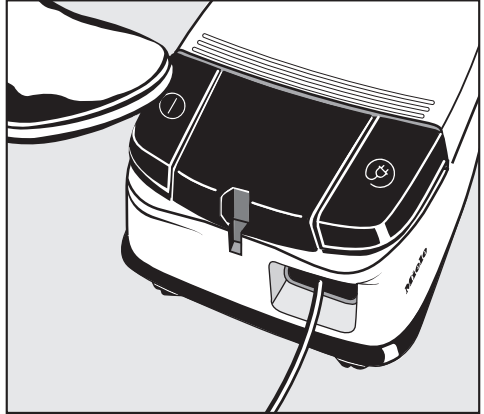
Turning the vacuum on and off

- Press the On/Off switch.

While vacuuming







The vacuum cleaner can also stand on its end for vacuuming stairs, drapes etc.

 To prevent static discharge your hand must touch the metal inlay on the underside of the vacuum handpiece. Be certain to continuously touch this inlay when vacuuming fine dust, flour or sawdust as these materials are more likely to create static discharge. To further prevent static discharge while vacuuming, pull the vacuum along by the hose with one hand while continuing to hold the handpiece in the other hand.



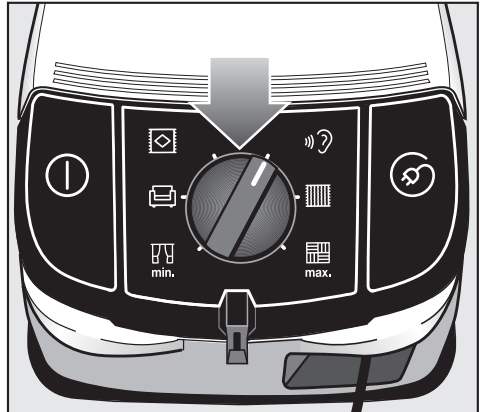
Adjusting the suction

The suction power can be adjusted depending on the type of flooring. By reducing the suction power the floor brush can be pushed easier. The symbols on the controls indicate the type of use the settings are suitable for:

-  curtains, lightweight fabrics
-  upholstery, cushions
-  thick pile carpets, rugs and runners
-  energy-saving daily use with low noise lever
-  low pile carpets
-  hard flooring and intensive cleaning of carpets

Rotary selector

- Turn the selector knob to the desired suction power setting.

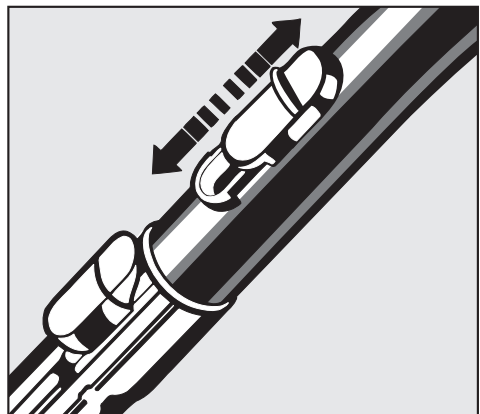


Opening the air inlet valve

The air inlet valve is designed to provide a quick, convenient reduction of suction power, e.g. when moving from a carpet to an area rug.

- Open the air inlet valve far enough to reduce the power.

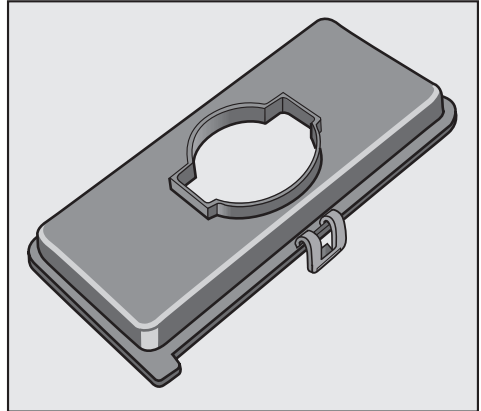
Opening the air inlet valve reduced the power to the tool being used.



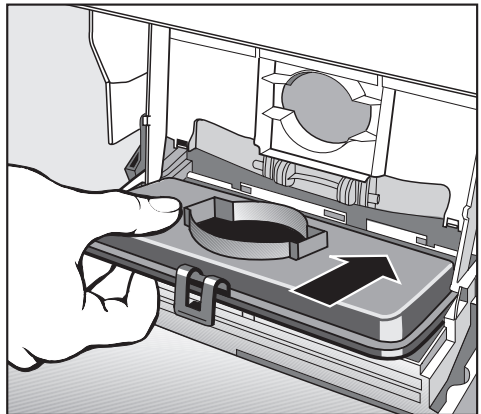
Operation

Blower connection socket

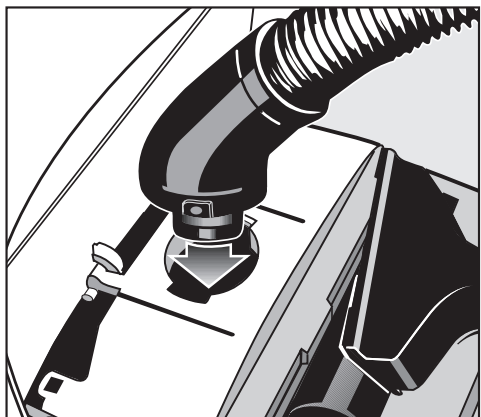
The blower connection socket can be used to connect the suction hose to the blower outlet of the vacuum cleaner. This is useful for dusting off radiators and blowing dust out of inaccessible corners so that it can be vacuumed up. It can also be used to clean the suction hose if it should ever become blocked.



- Ensure that the vacuum cleaner is turned off.
- Press the release button for the dust compartment lid and raise the lid so that it clicks into place.
- Take out the exhaust filter or the filter frame if present and replace with the blower connection socket.
- Close the dust compartment lid.



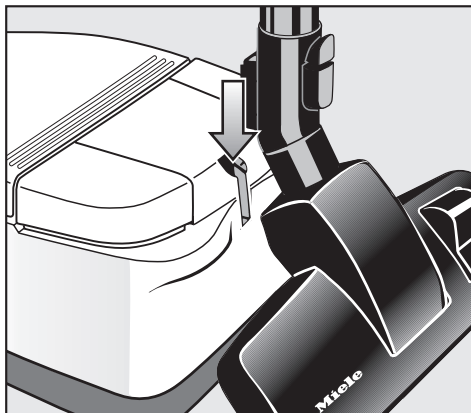
- Open the accessory compartment and insert the elbow of the suction tube into the blower connection socket.
- Turn the vacuum cleaner on.



Park-System

The Park-System has been designed to conveniently park the vacuum cleaner during brief pauses, as well as for easy carrying and storage.

A special parking attachment is fitted to all floor brushes, except the Electrobrushes SEB 228 (EB03) and SEB 236 (EB01) which can stand by themselves. Insert the clip on the floor brush into the slot on the end of the vacuum cleaner from above (see illustration).




Transportation and storage

For easier transportation and storage:

- Stand the vacuum cleaner vertically.
- Insert the clip on the floor brush into the wand bracket on the side of the vacuum (does not apply to the Electrobrushes SEB 228 (EB03) and SEB 236 (EB01) .
- To save space, completely collapse the tubes in the telescopic wand.



Maintenance and care


 Turn off and unplug the vacuum cleaner before performing any maintenance work.

The Miele filter system consists of the following three components.

- Dustbag
- Exhaust filter
- Dust compartment filter

Each of these components must be changed periodically to maintain the vacuum cleaner's efficiency.

Only use Miele dustbags, filters and accessories with the "Original Miele" logo. Only then can the suction power of the vacuum cleaner reach its optimum potential creating the best possible cleaning results.

 The use of dustbags made of paper or a similar material, or dustbags with a cardboard retaining plate can lead to serious damage to the vacuum cleaner and possibly voiding the warranty, just as with the use of dustbags without the "Original Miele" logo.

Purchasing new dustbags and filters

Original Miele dustbags and filters can be purchased from an authorized Miele vacuum dealer or by visiting the Miele store at <http://store.miele.com>.

Which dustbags and filters are the right ones?

This vacuum cleaner uses Original Miele dustbags Type **F/J/M** and an Original Miele filters, the "Original Miele" Logo will appear on the packaging or directly on the dustbag.



An "Air clean" exhaust filter and a dust compartment filter are supplied with every box of Miele dustbags. If you would like to purchase additional Miele filters separately, contact your vacuum dealer or Miele, please quote the model number of your Miele vacuum cleaner to ensure correct parts are ordered. These parts are also available to order from the online Miele store.

The exhaust filter supplied with the vacuum cleaner can be exchanged with another type of Original Miele filter (see "Exchanging exhaust filters").

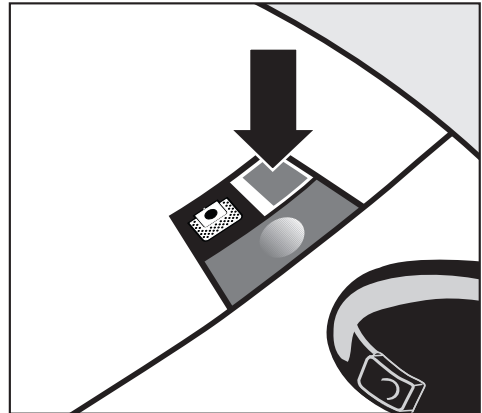
When to change the dustbag

Change the dustbag when the colored marker in the airflow indicator fills the display.

Miele dustbags are disposable and made to be used only once. Do not attempt to reuse.

Checking the airflow indicator

- Attach the standard floor brush (depending on model) to the vacuum cleaner. Perform this test with the standard floor brush only, other attachments can affect the function of the airflow indicator.
- Turn the vacuum cleaner on and select the highest power setting.
- Lift the floor brush slightly off the floor. If the marker completely fills the indicator window, the dustbag needs to be changed.



How the airflow indicator works

The airflow indicator is designed to show when the bag is full of common household dust and measures the amount of air flow through the dustbag. Normal household dust is a mixture of dust, hair, carpet fluff, threads, sand, etc.

However, if fine dust, such as drill dust, sand, plaster or flour is vacuumed, the pores of the dustbag may become blocked. The marker will indicate that the bag is "full" even when it is not. The dustbag should be changed as the suction power is greatly reduced.

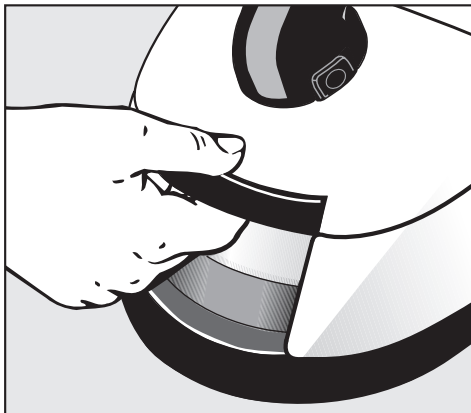
If the bag is bulging with pet fur, hair, carpet fluff, etc. the indicator may not register "full". This is because the air flow of the dustbag may still be high enough not to activate the marker to show maximum. The dustbag should still be changed.

Maintenance and care

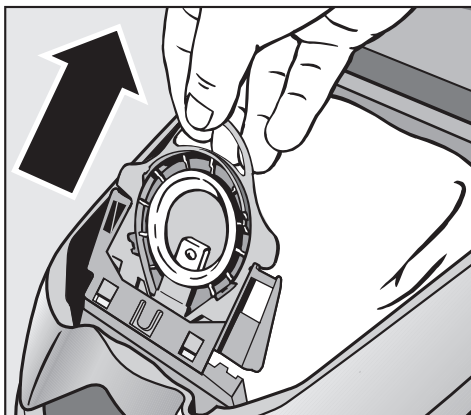
Replacing the dustbag

- Pull the plug from the socket
- Open the dust compartment lid and raise until it clicks into place.

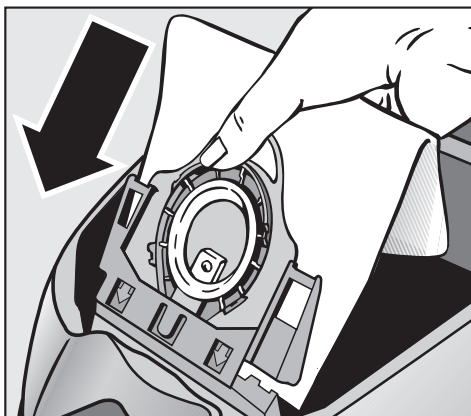
The dustbag has a closing flap which closes automatically when the dust compartment lid is raised to prevent any dust from escaping.




- Grasp the finger grip and pull the dustbag out of the holder.



- Insert the new dustbag as far as it will go into the dustbag holder. Do not unfold the dustbag when taking it out of the box.
- Unfold the dustbag in the dust compartment.
- Close the dust compartment lid until it clicks into place. Take care not to jam the dustbag in the lid.



 An empty-operation-barrier blocks the dust compartment lid from closing if no dustbag is inserted. Do not force it closed.

Replacing the exhaust filter

Depending on the model, the vacuum cleaner will be equipped with one of the following exhaust filters:

- a** "Air Clean" filter
- b** "Active Air Clean" filter
- c** "Active HEPA" filter

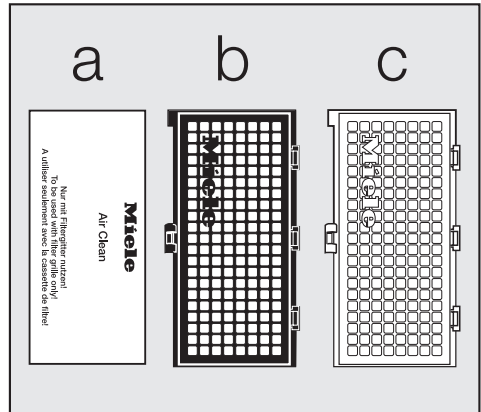
"Air Clean" filter

A "Air Clean" filter is supplied with every box of Miele dustbags. It should be replaced each time a new box of bags is started.

"Active Air Clean" or the "Active HEPA" filter

An "Active Air Clean" or "Active HEPA" filter should be changed approximately once a year. Change the filter sooner if it is obviously soiled or no longer effective.

It is helpful to make a note of the date directly on the filter as a reminder for when to next change it. See "Optional Accessories" for filter descriptions.

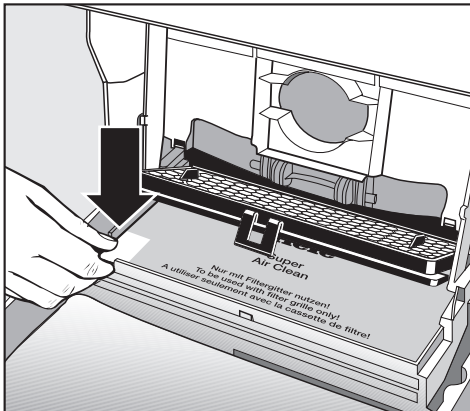


Maintenance and care

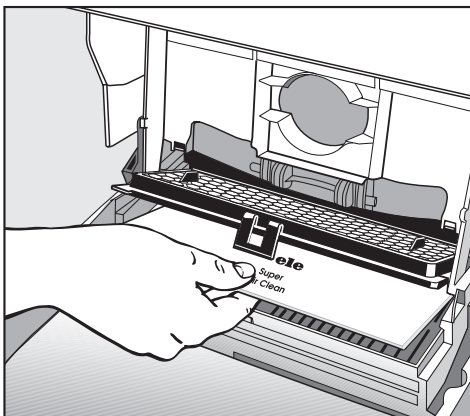
Replacing the "Air Clean" filter

- Open the dust compartment lid.
- Release the filter frame. Raise it up and remove the filter.

Do not use more than one filter at a time.

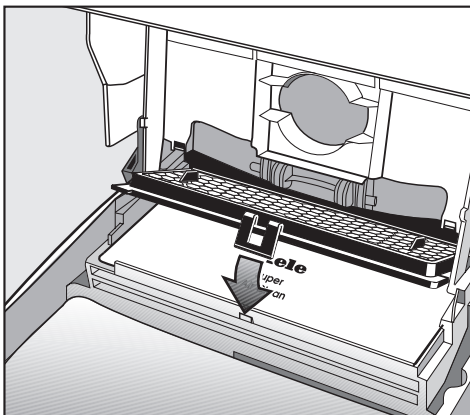


- Insert a new "Air Clean" filter. It can be inserted with either side up.



- Lower and secure the filter frame back into place.
- Close the dust compartment lid firmly until it clicks into place.

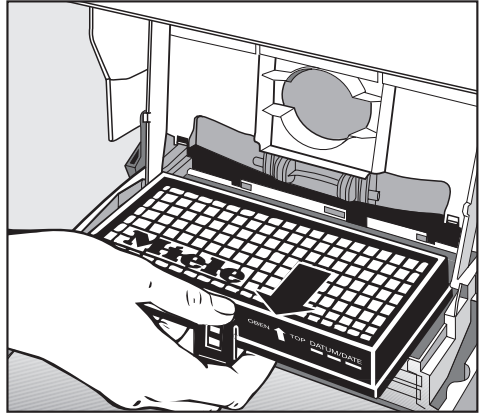
If you wish to replace the Air Clean filter with an Active Air Clean filter or Active HEPA filter see "Maintenance and care - Replacing one type of filter with another".



Replacing the "Active Air Clean" filter and the "Active HEPA" filter

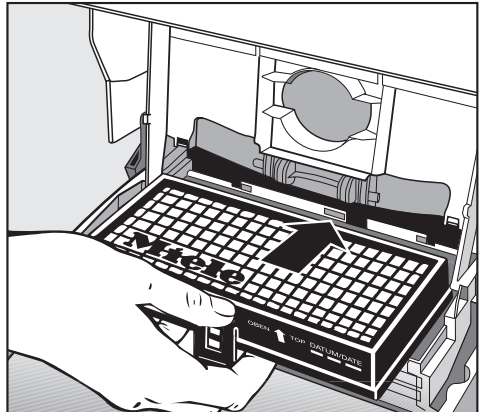
- Open the dust compartment lid.
- Release the catch and remove the filter.

Do not use more than one filter at a time.



- Insert the new filter so that it engages at the back, then close the catch.
- Close the dust compartment lid firmly until it clicks into place.

If you wish to replace the Active Air Clean filter or Active HEPA filter with an Air Clean filter see "Maintenance and care - Replacing one type of filter with another".

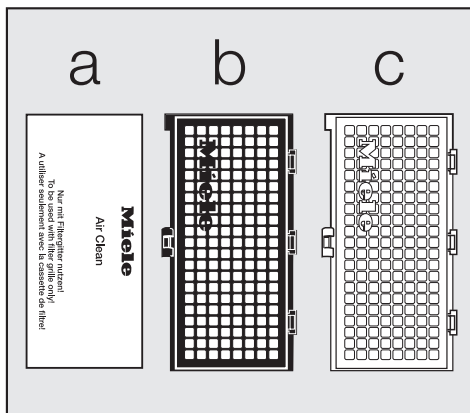


Maintenance and care

Replacing one type of filter with another

Depending on the model, the vacuum cleaner is fitted with one of the following exhaust filters:

- a** "Air Clean"
- b** "Active Air Clean"
- c** "Active HEPA"

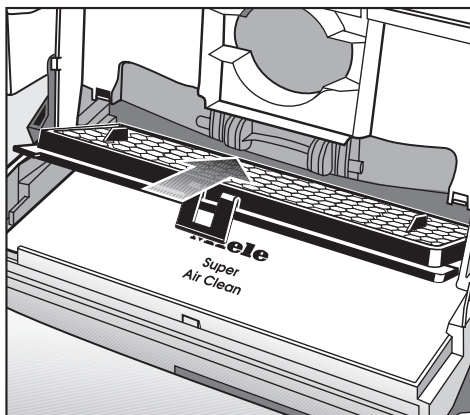


Please note

1. If you wish to replace the **a** "Air Clean" filter with the **b** "Active Air Clean" filter or the **c** "Active HEPA" filter, you must **remove** the filter frame before inserting the new type of filter.

2. If you use the exhaust filter **a** you have to insert it in a filter frame *.

* Filter frame - see "Optional accessories"



Do not use more than one filter at a time.

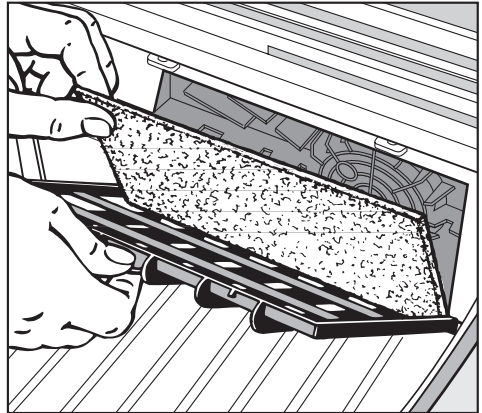
When to change the dust compartment filter (motor protection)

Replace the dust compartment filter every time you start a new box of dustbags.

A dust compartment filter is supplied inside each box of Miele dustbags.

Replacing the dust compartment filter (motor protection)

- Open the dust compartment lid.
- Open the filter frame, remove the old filter and replace with a new one.
- Close the filter frame.



Maintenance and care

When to change the thread catcher pads on the standard floor brush

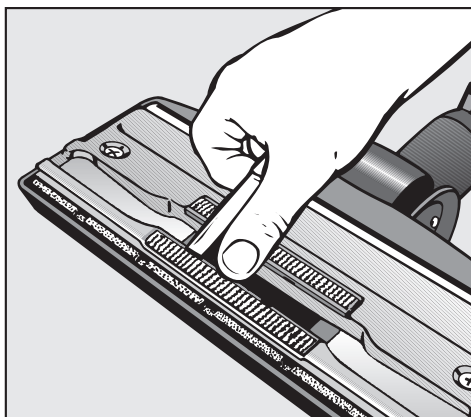
(depending on model)

Check the thread catchers on the bottom of the standard floor brush and the upholstery nozzle, from time to time.

Replace the thread catchers if the pile is worn.

Replacing the thread catchers on the standard floor brush (depending on model)

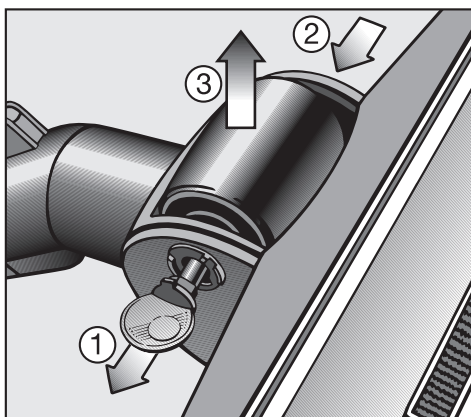
- Use a knife or similar object to remove the thread catchers from the slots.
- Insert the new thread catchers.




Servicing the floor roller on the standard floor brush (depending on model)

- Use a coin to release the roller pin and pull it out.
- Push and take out the roller axle.
- Take out the roller.
- Remove all threads, hair, etc. and reassemble the parts.


Spare parts are available from your Miele vacuum dealer or Miele.



 Turn off the vacuum and unplug it from the outlet before performing any maintenance work.

Vacuum cleaner and accessories


External surfaces of the vacuum cleaner and accessories can be cleaned with a slightly damp cloth or with a cleaner specifically for plastics.

 Do not use abrasive, glass or all-purpose cleaners! They will damage the surface.


Dust compartment

The dust compartment can, if necessary, be cleaned using another vacuum, a **dry** cloth or brush.

Monitor the dustbag change indicator and inspect all filters regularly. Clean or replace them when necessary according to the Operating Instructions.

 Do not submerge the vacuum cleaner in water! If moisture gets into the appliance, there is the risk of an electric shock.

Frequently asked questions

 Turn off and unplug the vacuum cleaner before performing any maintenance work.

What if the vacuum turns off automatically?

The vacuum has overheated. The temperature limiter automatically turns the vacuum off.

This can occur if, for instance, large articles block the suction tube or when the filter bag is full or contains particles of fine dust. A heavily soiled exhaust or dust compartment filter can also be the cause of overheating. Turn the vacuum off and pull the plug from the outlet.

Check for any blockages and allow the vacuum to cool for 30 minutes.

In the event of a fault which you cannot fix yourself please contact the Miele Service Department at the phone number on the back of this booklet.

- Please quote the model type of your appliance.

This can be found on the data plate on the bottom of the vacuum.

Optional accessories

Each model may be accessorized with one or more of the following tools.

Observe the cleaning instructions of the floor manufacturer.

A Powerbrush can only be used with models containing a Powerbrush socket, see "Guide to the vacuum cleaner"

To use a powerbrush the SES 118 electrical hose and SET 210 or SET 220 electric wand must be obtained.

Powerbrush SEB 217-3 (EB02)

The Powerbrush is intended for intensive cleaning and restoration of robust carpeting. It is particularly suitable for cleaning and restoring crushed carpet pile of floor coverings subject to hard wear, especially in high traffic areas.



Powerbrush SEB 228 (EB03)

The Powerbrush is particularly suitable for cleaning and restoring crushed carpet pile of wall to wall carpeting and floor coverings subject to hard wear, especially in high traffic areas. The Powerbrush can also be used on smooth floor surfaces.



Powerbrush SEB 236 (EB01)

This Powerbrush is 3" (60 mm) wider and more powerful than the SEB 217-3 model.

It includes:

- a height adjustment
- a light
- a multifunction indicator.



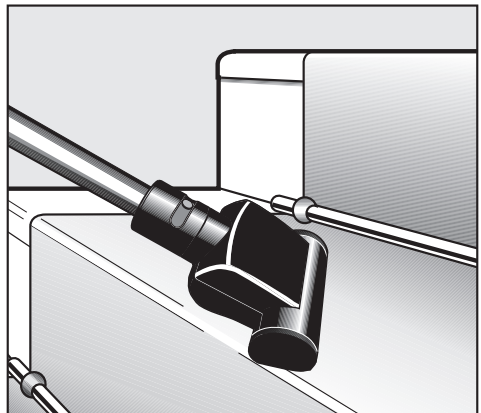
Turbobrush - Turbo Comfort-3

The turbobrush is recommended for cleaning short to medium pile carpeting. It is mechanically driven by the suction power of the vacuum. In addition to dust particles it also removes stubbornly adhered threads, hairs and carpet fluff.



Hand Turbobrush - Turbo Mini

The Hand Turbobrush is intended for vacuuming upholstery, mattresses, car seats, carpeted stairs and other areas inaccessible with the standard Turbobrush.



Optional accessories

Floor brush - Hardfloor-3

To vacuum sturdy hard floors, e.g. tiles and stone floors.



Floor brush - Parquet-3

Special brush with natural bristles intended for cleaning parquet and laminate floors, especially those susceptible to scratching.

The parquet floor brush can be cleaned with the vacuum cleaner using the crevice nozzle if necessary.

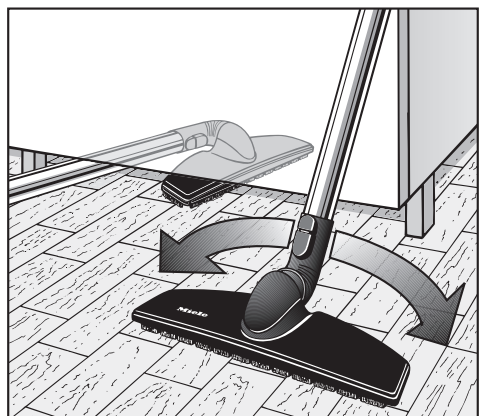


Floor brush - Parquet Twister with swiveling head

For cleaning all hard flooring, e.g. parquet and tiles. Especially suitable for vacuuming niches and tight spaces.

Floor brush - Parquet Twister XL with swiveling head

Similar to the Parquet Twister except it is $3 \frac{9}{16}$ " (90 mm) wide, making it ideal for cleaning large spaces.



Dust brush with natural bristles

For dusting particularly delicate objects.



Universal brush

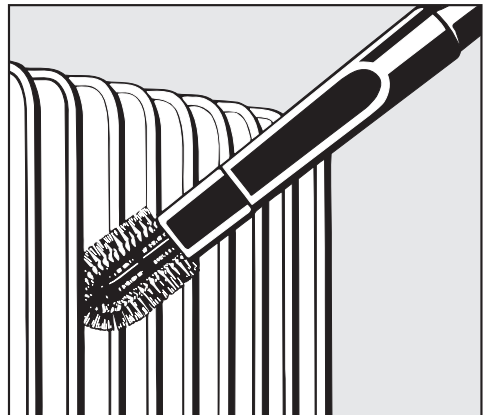
For dusting books, shelves, etc.



Radiator brush

(only usable with the crevice nozzle)

For cleaning radiators, narrow shelves and crevices.



Optional accessories

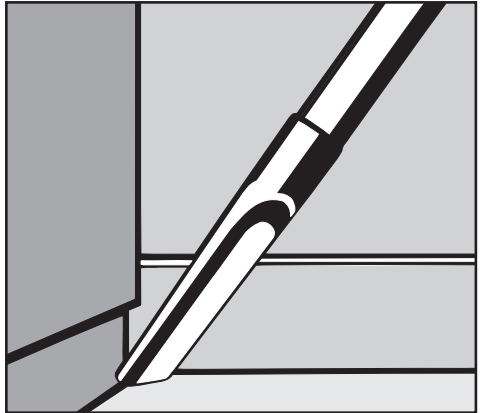
Mattress tool

For cleaning deep crevices, mattresses and upholstery.



12" (300 mm) Crevice nozzle

For cleaning in folds, crevices and corners.



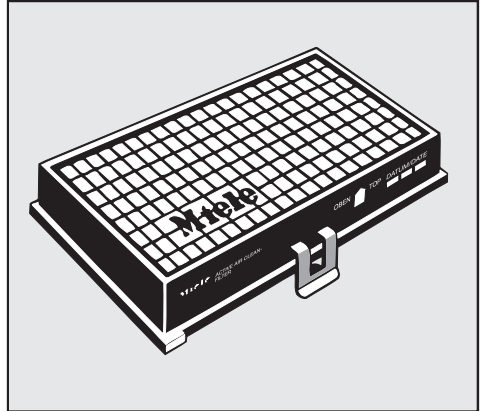
Optional accessories

MicroSet

This set is specially designed for cleaning small objects and difficult to reach areas (such as PC keyboards, stereo equipment, carved furniture, ornaments, models, etc).

Accessory set consists of:

- Micro hose with combi nozzle (crevice nozzle and dust brush)
- Micro dust brush
- Micro crevice nozzle
- Extension

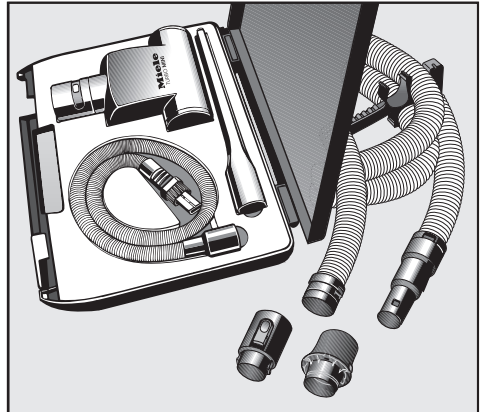


CarClean Set Plus

Specially designed for cleaning car interiors.

Accessory set consists of:

- Hand Turbobrush
- Microhose with combi nozzle
- Crevice tool 12" (300 mm)
- Accessory carrying case
- 10 ft (3 m) long suction hose with holder.

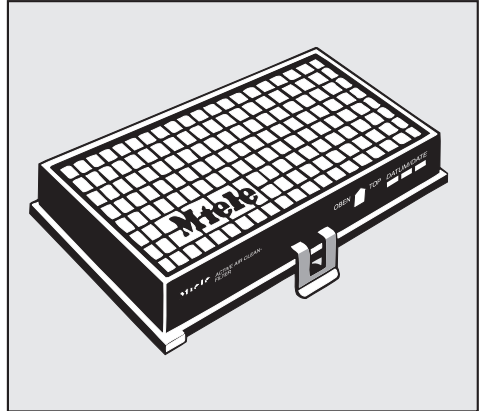


Optional accessories

"Active Air Clean" filter

A special active charcoal filter which absorbs odors from the dust collected in the dustbag, helping to prevent odors.

The "Active Air Clean" filter can be used in place of the "Air Clean" filter.

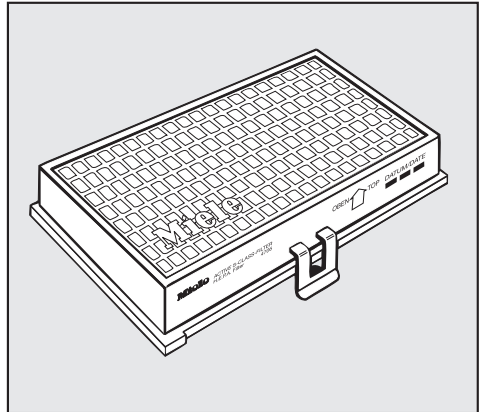


"Active HEPA" Filter

Vacuum cleaners equipped with this exhaust filter are particularly suitable for allergy sufferers and those concerned with a high level of hygiene.

The "Active HEPA" filter combines activated charcoal and HEPA filtration in one. In addition to meeting OSHA standards for air filtration, it will also absorb any odors existing in the dustbag.

The "Active HEPA" filter can be used in place of the "Air Clean" filter.



Filter frame

The filter frame is needed if you would like to exchange an Air Clean filter with an Active Air Clean or HEPA filter, see "Maintenance and care - Exchanging exhaust filters".

Disposal of packing materials

The cardboard box and packing materials protect the appliance during shipping.

Ensure that any plastic wrappings, bags, etc. are disposed of safely and kept out of the reach of children. These items pose a danger of suffocation.

Disposing of the dustbag and filters

These are made from environmentally friendly materials and can be placed in the regular household garbage. However, if the dustbag contains prohibited waste, contact your local waste collection center for disposal instructions.

**Please have the model and serial number
of your appliance available before
contacting Technical Service.**



U.S.A. Miele, Inc.

National Headquarters

9 Independence Way
Princeton, NJ 08540
Phone: 800-843-7231
609-419-9898
Fax: 609-419-4298
www.mieleusa.com

Technical Service & Support Nationwide

Phone: 800-999-1360
Fax: 888-586-8056

TechnicalService@mieleusa.com

Canada Miele Limited

Headquarters and Showroom

161 Four Valley Drive
Vaughan, ON L4K 4V8
Phone: 800-643-5381
905-660-9936
Fax: 905-532-2290
www.miele.ca
professional@miele.ca
(commercial enquiries)

MieleCare National Service

Phone: 800-565-6435
905-532-2272
Fax: 905-532-2292
customercare@miele.ca
(general and technical enquiries)

Germany

Miele & Cie. KG
Carl-Miele-Straße 29
33332 Gütersloh